

C A T A L O G U E 2 0 2 1

PLUG & PLAY SYSTEM



VENOM



CAR TYPE. H O N D A

TABLE OF CONTENTS.

01 Introduction

02 Product Type

03 Car Compatibility

04 Product Dimensions

05 Product Specification





INTRODUCTION

Enhance your ordinary speaker into
THE EXTRAORDINARY.

The installation process for Exodus product is very quick and easy.

This is because, Venom uses **“PLUG and PLAY”** wiring cable which does not need any wires cutting.

EXODUS PRODUCT TYPE

Tweeter &
Mid-range
EX-H (2 way system)



Speaker
EX-HC (Coaxial)



Car COMPATIBILITY



Car Type - Honda -

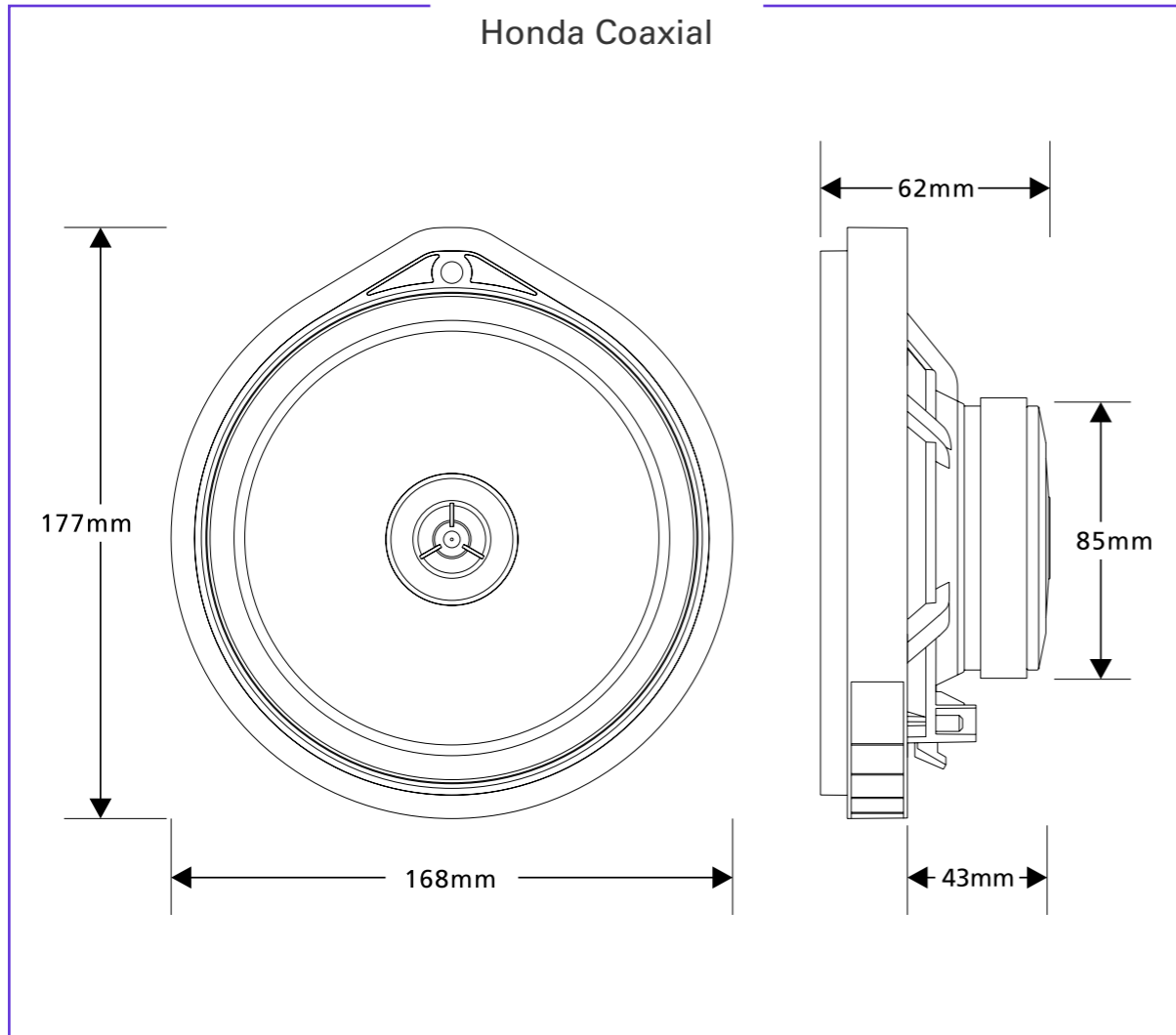
1. FIT / JAZZ	front / rear door	15. VEZEL	front / rear door
2. SHUTTLE	front / rear door	16. HR-V	front / rear door
3. CITY	front / rear door	17. CR-V	front / rear door
4. GREIZ	front / rear door	18. BREEZE	front / rear door
5. GIENIA	front / rear door	19. UR-V	front / rear door
6. CRIDER	front / rear door	20. PILOT	front / rear door
7. ACCORD	front / rear door	21. AVANCIER	front / rear door
8. SPIRIOR	front / rear door	22. JADE	front / rear door
9. INSPIRE	front / rear door	23. ODYSSEY	front / rear door
10. CROSSTOUR	front / rear door	24. ELYSION	front / rear door
11. XR-V	front / rear door	25. MOBILIO	front door
12. CIVIC	front door & rear deck	26. BRIO	front door
13. INSIGHT	front door & rear deck	27. BRV	front door
14. CIVIC HATCHBACK	front door & rear deck		



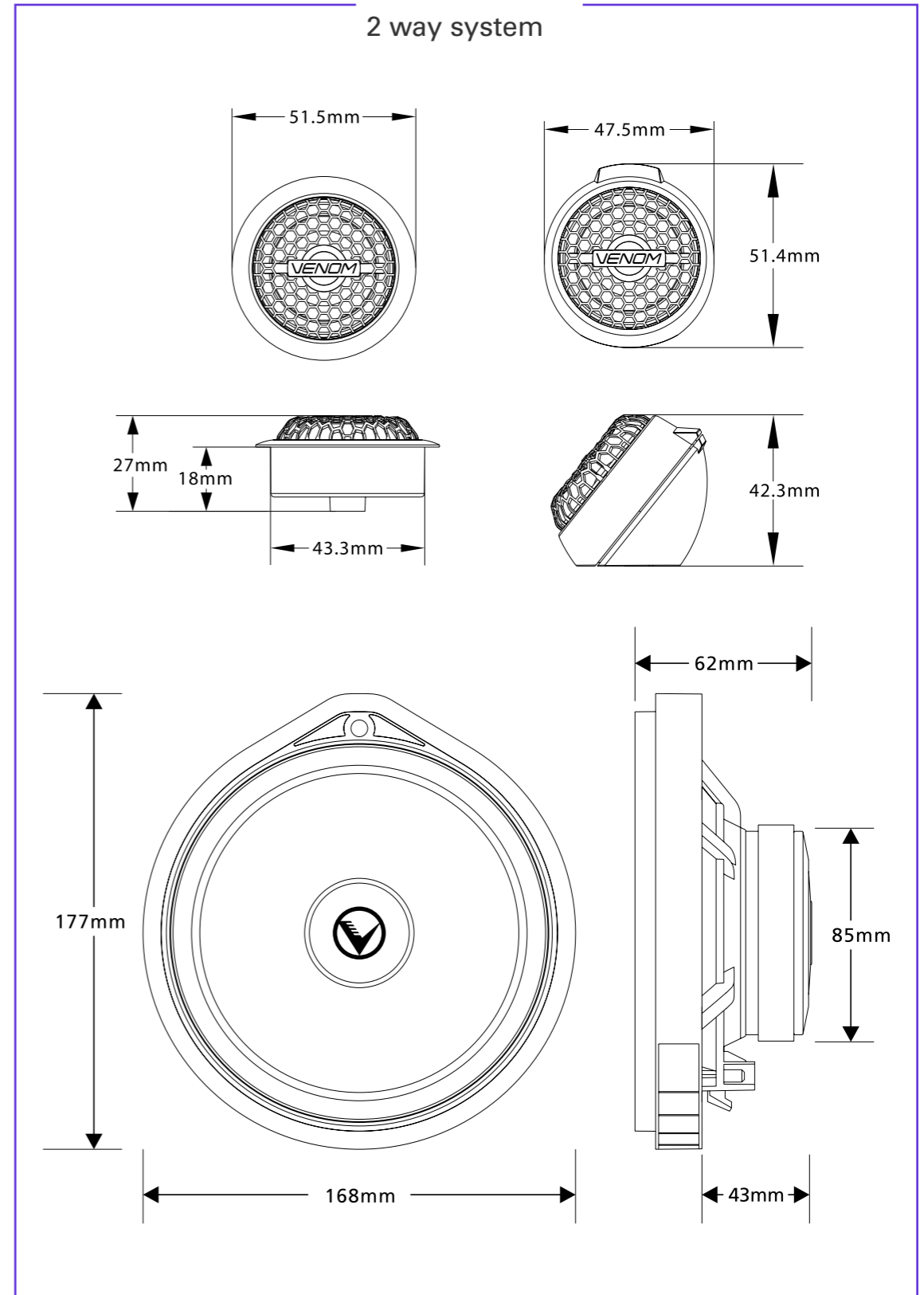
1. ACURA CDX	front / rear door
2. ACURA RDX	front / rear door
3. ACURA MDX	front / rear door

Car Type - Acura -

EX - HC
Honda Coaxial



EX - H
2 way system



Product
DIMENSIONS

Product SPECIFICATION



FEATURES

- ◆ 6.5 Inch 2-way component speaker / coaxial speaker
- ◆ Rated power: 40W
- ◆ Synthetic fiberglass cone
- ◆ 4 ohm 25.5mm ASV Voice coil
- ◆ Qts: 0.903
- ◆ BL: 3.8T
- ◆ Vas: 15.65 ltr
- ◆ Plug & Play connector, specific for Honda vehicles

TECHNICAL PARAMETERS

PART	EX-H	EX-HC
RMS Power Handling	40W	40W
System Impedance	4Ω	4Ω
Sensitivity @1W/1M	89dB	89dB
Frequency Range	61Hz - 22KHz	61Hz - 20KHz
Magnet	Ferrite	Ferrite
Voice Coil	25.5mm	25.5mm
Tweeter V.C. Diameter	25.4mm	13.28mm
Basket	Reinforced ABS	Reinforced ABS
Cone	Fiberglass	Fiberglass

VENOM

